



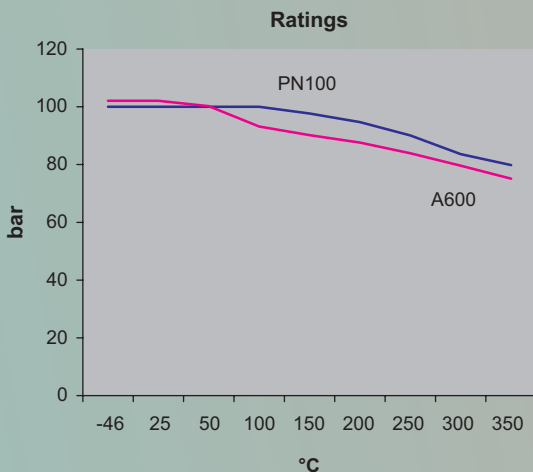
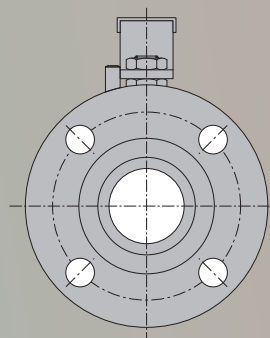
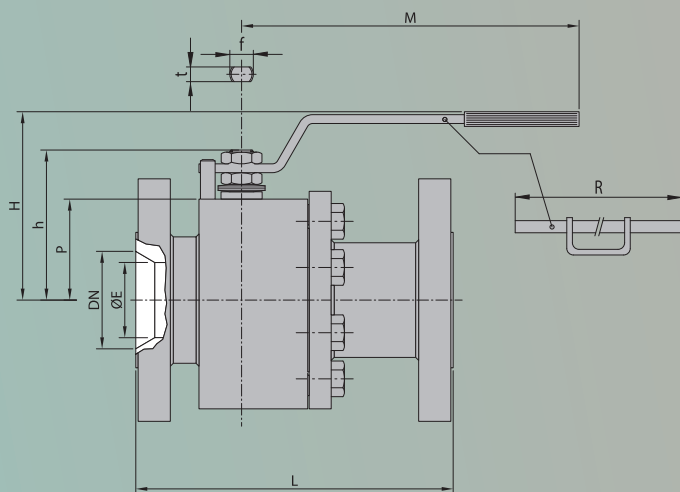
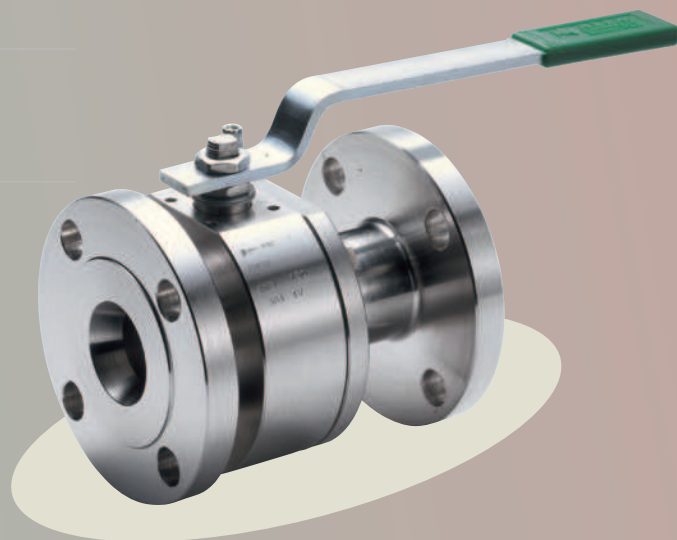
# AP503

BIDIREZIONALE

Dimensionamenti  
Design ANSI B16.34/API 608/EN 12569 / EN 17292  
ASME VIII DIV.1 / EN 12516-1

Estremità flangiate  
Flanged ends EN 1092-1 PN 100/PN63  
DIN 2637 (PN100)/2636 (PN64)  
ANSI B16.5 CL.600

Collaudo  
Testing ANSI B16.104  
API 598  
EN 12266-I  
ISO 5208  
BS 6755-I



### Dimensioni - outline dimensions

DN	50	65	80	100
Ø"	2"	2½"	3"	4"
ØE	38	51	51	76
L	292	330	356	432
M	380	380	380	440
R	-	-	-	500
H	135	146	146	185
h	104	115	115	141
P	65	75	75	95
F/t	22/14	22/14	22/14	30/18
Kg	22	33	38	65
ISO5211	F07	F07	F07	F10

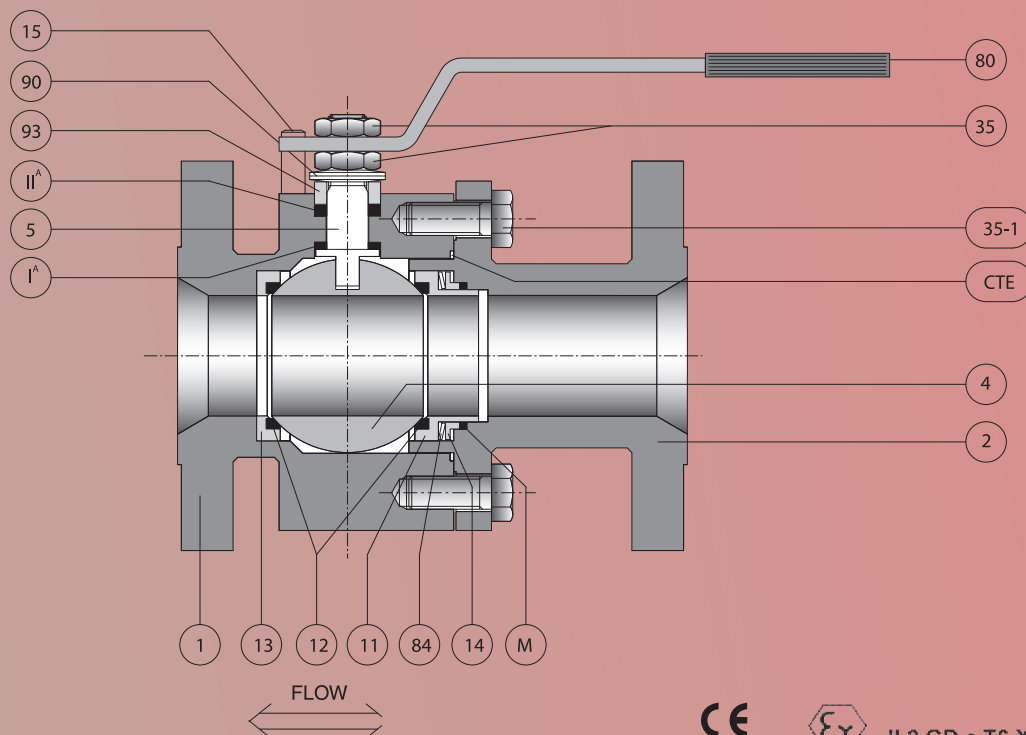
# VALVOLA A SFERA FLOTTANTE A SEGGI METALLICI

## METAL SEATED FLOATING BALL VALVES

BI-DIRECTIONAL

-46 °C +400 °C

AP



TA-LUFT  
APPROVED  
(CON PROLUNGA 100 MM)  
C/W 100 MM STEM ELONGATION

FIRE-SAFE CERTIFIED  
API 607 V ED  
ISO 10497

CE  
97/23/CE "PED"  
CAT III

II 2 GD c T6 X  
94/9/CE "ATEX"

### Materiali base - base materials

CTE	Guarn. Corpo/Terminale	Body connector gasket	Grafoil	Grafoil	Grafoil
M	Guarn. Retroseggio	Backseat gasket	Grafoil	Grafoil	Grafoil
II <sup>A</sup>	Guarnizione Secondaria	Secondary Stem seal	Grafoil	Grafoil	Grafoil
I <sup>A</sup>	Guarnizione Primaria	Primary stem seal	Grafoil	Grafoil	Grafoil
93	Premi Baderna	Gland	304 S.S.	304 S.S.	304 S.S.
90	Molle Stelo	Stem spring	UNS S30100	UNS S30100	UNS S30100
84	Molle Seggio	Seat spring	UNS S30100	UNS S30100	UNS S30100
80	Leva	Handle	Fe37 UNI 7070	Fe37 UNI 7070	Fe37 UNI 7070
35-1	Bulloneria Corpo/Terminale	Body/Connector Bolts	A193 B7 A194 Gr.2H	A193 B8 A 194 Gr.8	A193 B8M A194 Gr.Gr.8M
35	Dadi Stelo	Nut	304 S.S.	304 S.S.	304 S.S.
15	Fermo Leva	Lever stopper	Gr. 8.8 UNI 3740	Gr. 8.8 UNI 3740	Gr. 8.8 UNI 3740
14	Premigrafoil	Compression ring	A479 Tp.316	A479 Tp.316	A479 Tp.316
13	Cassetto Corpo	Body seat holder	A479 Tp.316	A479 Tp.316	A479 Tp.316
12	Seggio	Seat	PENTAFITE	PENTAFITE	PENTAFITE
11	Cassetto Terminale	Connector seat holder	A479 Tp.316	A479 Tp.316	A479 Tp.316.
5	Stelo	Stem	13% Cr. A564 Tp.630 (17/4PH)	A564 Tp.630 (17/4PH)	A564 Tp.630 (17/4PH)
-	Riporto Sfera	Ball coating	HTC/HCR ST6 WC/CRC	HTC/HCR ST6 WC/CRC	HTC/HCR ST6 WC/CRC
4	Sfera	Ball	A479 Tp.316	A479 Tp.316	A479 Tp.316
2	Terminale	Connector	A105	A479 Tp.304	A479 Tp.316
1	Corpo	Body	A105	A479 Tp.304	A479 Tp.316

P. No. Parte - Part Name

Materiale - Material

Altri materiali disponibili su richiesta – Other materials are available on request  
Altre estremità disponibili su richiesta – Other end connections available on request

HTC = Nitruri di Titanio (Titanium Nitrides); HCR = Nitruri di Cromo (Chrome Nitrides); ST6 = Stellite 6 Detonation Gun/HVOF  
WC = Carburi di Tungsteno (Tungsten Carbides Detonation Gun/HVOF); CRC = Carburi di Cromo (Chrome Carbides Detonation Gun/HVOF)